

**B****DF-2991****Second Year B. Sc. (Sem. III) Examination****March / April - 2016****Electronics : Paper - IV****(Advance Digital Electronics & Circuit Design)**

Time : 2 Hours]

[Total Marks : 50

**Instructions :**

(1)

નીચે દર્શાવેલ નિશાનીવાળી વિગતો ઉત્તરવહી પર અવશ્ય લખવી.  
Fillup strictly the details of signs on your answer book.

Name of the Examination :  
**SECOND YEAR B. Sc. (SEM. 3)**

Name of the Subject :  
**ELECTRONICS - 4**

Subject Code No. : **2** **9** **9** **1** Section No. (1, 2,...): **1**

Seat No. :

Student's Signature

- (2) All 28 questions are compulsory.
- (3) All symbols and abbreviations have their usual meaning.
- (4) Figures to right indicate full marks.
- (5) Non-programmable calculators are allowed.
- (6) Assume data if necessary.

**Q. 1 to 12 Multiple choice questions : (1 mark)****Q. 13 to 22 Multiple Choice Questions : (2 marks)****Q. 23 to 28 Multiple Choice Questions : (3 marks)**

***O.M.R. Sheet ભરવા અંગેની અગત્યની સૂચનાઓ આપેલ  
O.M.R. Sheet-ની પાછળ છાપેલ છે.  
Important instructions to fillup O.M.R. Sheet  
are given back side of provided O.M.R. Sheet.***

- 1 To serially shift a nibble (four bits) of data into a shift register, there must be \_\_\_\_\_.
  - (A) one clock pulse for each 1 in the data
  - (B) one clock pulse
  - (C) four clock pulses
  - (D) eight clock pulses
  
- 2 What is one disadvantage of an S-R flip flop ?
  - (A) It has only a single output
  - (B) It has no enable input
  - (C) It has an invalid state
  - (D) It has no clock input
  
- 3 How many flip-flops are required to make a MOD-32 binary counter ?
  - (A) 6
  - (B) 3
  - (C) 45
  - (D) 5
  
- 4 In sequential circuits the present input depends on
  - (A) None of these
  - (B) past input only
  - (C) present input only
  - (D) present as well as past inputs
  
- 5 When two counters are cascaded, the overall MOD number is equal to the \_\_\_\_\_ of their individual MOD numbers.
  - (A) reciprocal
  - (B) product
  - (C) sum
  - (D) log
  
- 6 The main difference between JK and RS flip-flop is that
  - (A) JK flip-flop is acronym of junction cathode multivibrator
  - (B) JK flip-flop does not need a clock pulse
  - (C) There is feedback in JK flip-flop
  - (D) JK flip-flop accepts both inputs as 1

- 7 A flip-flop has two out puts which are  
(A) all of these stated  
(B) always 0  
(C) always 1  
(D) always complementary
- 8 Master-slave configuration is used in flip flops to  
(A) improve the reliability  
(B) increase its clock rate  
(C) reduce power dissipation  
(D) eliminate the race round condition
- 9 Which of the following condition not allowed in S-R flip-flop using NOR gates ?  
(A) S=1, R=1  
(B) S=0, R=0  
(C) S=0, R=1  
(D) S=1, R=0
- 10 Which type of ROM can be erased by an electrical signal ?  
(A) EEPROM  
(B) ROM  
(C) mask ROM  
(D) EPROM
- 11 Which type of ROM has to be custom built by the factory ?  
(A) None of these  
(B) ROM  
(C) mask ROM  
(D) EPROM
- 12 ABCD counter is a \_\_\_\_\_  
(A) MOD-16 counter  
(B) binary counter  
(C) full-modulus counter  
(D) decade counter

- 13 Synchronous counters eliminate the delay problems encountered with asynchronous counters because the :
- (A) input clock pulses are applied simultaneously to each stage
  - (B) input clock pulses are applied only to the first and last stages
  - (C) input clock pulses are applied only to the last stage
  - (D) input clock pulses are not used to activate any of the counter stages
- 14 What is the difference between a 7490 and a 7492 ?
- (A) 7490 is a MOD-10, 7492 is a MOD-12
  - (B) 7490 is a MOD-12, 7492 is a MOD-10
  - (C) 7490 is a MOD-12, 7492 is a MOD-16
  - (D) 7490 is a MOD-16, 7492 is a MOD-10
- 15 What type of register would shift a complete binary number in one bit at a time and shift all the stored bits out one bit at a time?
- (A) PIPO
  - (B) PISO
  - (C) SISO
  - (D) SIPO
- 16 What is meant by parallel-loading the register ?
- (A) Shifting the data in all flip-flops simultaneously
  - (B) Loading data in all four flip-flops at the same time
  - (C) Loading data in two of the flip-flops
  - (D) Momentarily disabling the synchronous SET and RESET inputs

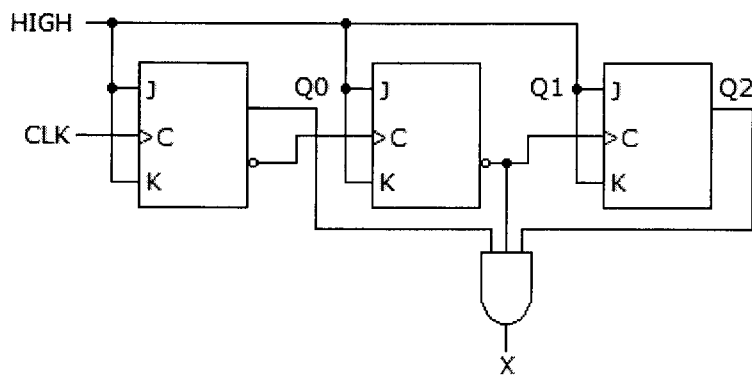
- 17 What happens to the output in an asynchronous binary down counter whenever a clock pulse occurs ?
- (A) The output word decreases by 2
  - (B) The output word increases by 1
  - (C) The output word increases by 2
  - (D) The output word decreases by 1
- 18 Which of the following best describes the action of pulse-triggered FF's ?
- (A) The synchronous inputs must be pulsed
  - (B) The clock and the S-R inputs must be pulse shaped
  - (C) The data is entered on the leading edge of the clock, and transferred out on the trailing edge of the clock.
  - (D) A pulse on the clock transfers data from input to output
- 19 An invalid condition in the operation of an active-HIGH input S-R latch occurs when \_\_\_\_\_.
- (A) a HIGH is applied to the S input while a LOW is applied to the R input
  - (B) HIGHS are applied simultaneously to both inputs S and R
  - (C) LOWs are applied simultaneously to both inputs S and R
  - (D) a LOW is applied to the S input while a HIGH is applied to the R input

- 20 As a general rule for stable flip-flop triggering the clock pulse rise and fall times must be :
- (A) of no consequence as long as the levels are within the determinate range of value
  - (B) very long
  - (C) very short
  - (D) at a maximum value to enable the input control signals to stabilize
- 21 The group of bits 11001 is serially shifted (right-most bit first) into a 5-bit parallel output shift register with an initial state 01110. After three clock pulses, the register contains \_\_\_\_\_.
- (A) 00110
  - (B) 01110
  - (C) 00001
  - (D) 00101
- 22 A 4-bit parallel access shift register can be used for \_\_\_\_\_.
- (A) All of these
  - (B) serial in/serial out operation
  - (C) serial in/parallel out operation
  - (D) parallel in/serial out operation

23 A MOD-16 ripple counter is holding the count  $1001_2$ . What will the count be after 31 clock pulses ?

- (A)  $1101_2$
- (B)  $1000_2$
- (C)  $1010_2$
- (D)  $1011_2$

24 What decimal value is required to produce an output at “X” ?



- (A) 5
- (B) 1
- (C) 1 or 4
- (D) 2

25 A 4 bit binary ripple counter and 4 bit synchronous counter uses with propagation delay time of 50 ns each. The possible maximum delay time required for the change the state will be for 4 bit ripple counter is \_\_\_\_\_ ns and for 4 bit synchronous counter is \_\_\_\_\_ ns.

- (A) 200, 200
- (B) 50, 50
- (C) 200, 50
- (D) 100, 100

- 26 The bit sequence 10011100 is serially entered (right-most bit first) into an 8-bit parallel out shift register that is initially clear. What are the Q outputs after four clock pulses ?
- (A) 11110000
  - (B) 10011100
  - (C) 11000000
  - (D) 00001100
- 27 Four J-K flip-flops are cascaded with their J-K inputs tied HIGH. If the input frequency ( $f_{in}$ ) to the first flip-flop is 32 kHz, the output frequency ( $f_{out}$ ) is \_\_\_\_\_.
- (A) 16 kHz
  - (B) 1 kHz
  - (C) 2 kHz
  - (D) 4 kHz
- 28 A bidirectional 4-bit shift register is storing the nibble 1101. Its input is HIGH. The nibble 1011 is waiting to be entered on the serial data-input line. After three clock pulses, the shift register is storing \_\_\_\_\_.
- (A) 1110
  - (B) 1101
  - (C) 0111
  - (D) 0001

